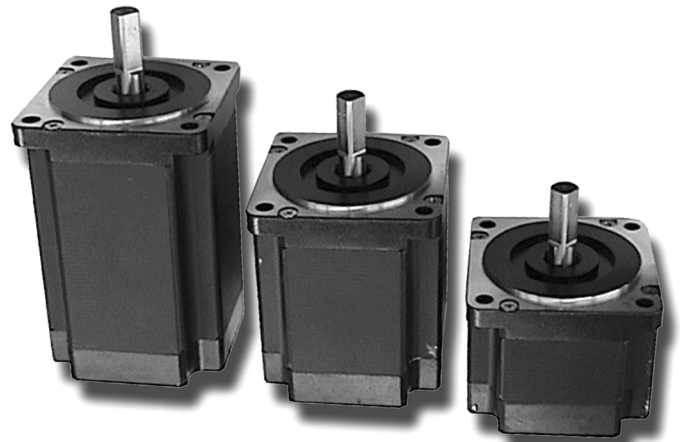


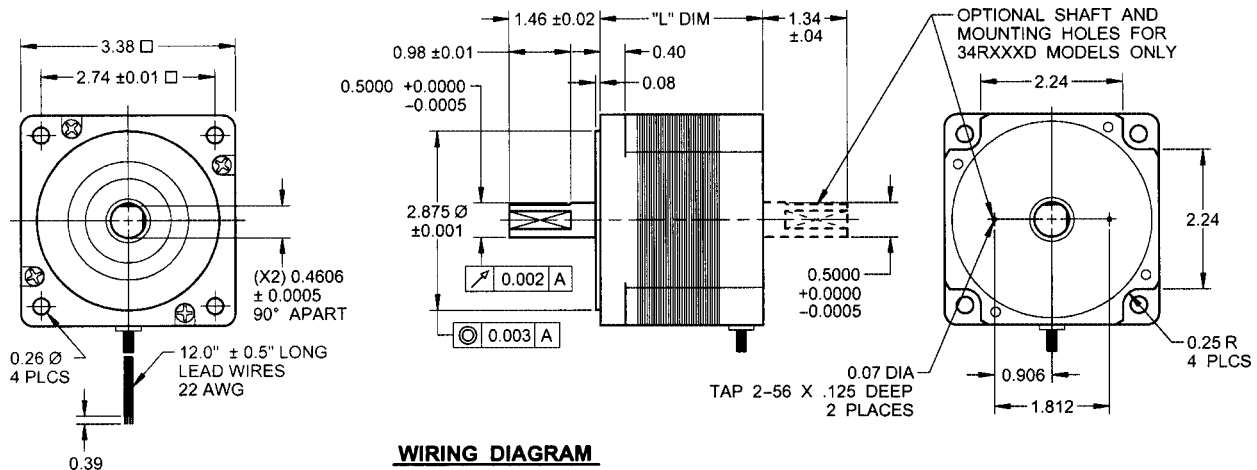
34R Series High Torque Step Motors

SPEC SHEET

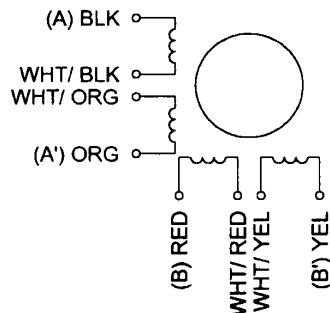
- **High Performance**
- **Holding Torque from 305 to 1155oz. in.**
- **Efficient and Durable**
- **Long Life Expectancy**
- **Ideal for Precise Positioning**
- **1.8° Resolution at Full Step**
- **Cost Effective Alternative to Servos**
- **Eight Flying Lead Configuration**
- **Other Wiring Configurations Available**



Anaheim Automation's 34R series high torque step motors use advanced magnetic technologies to provide significantly higher torque levels than what is produced in standard step motors. The 34R series is a NEMA 34 frame size and is available in a variety of windings to meet any application specific requirement. The torque levels reached with this step motor line make them cost effective alternatives to servo motors in many applications. These motors can be specified in place of standard motors to reduce system size and cost, or increase system performance, without the need to go to larger sized motors or drivers. The 34R series is compatible with many different Anaheim Automation drivers, to match full, half, and microstep applications.



WIRING DIAGRAM



MODEL	"L" DIM
34R1XX	2.60
34R2XX	3.78
34R3XX	4.96

NOTES:

1. SHAFT RADIAL PLAY 0.0008" MAX. @ 450g LOAD.
2. SHAFT AXIAL PLAY 0.003" MAX. @ 450g LOAD.

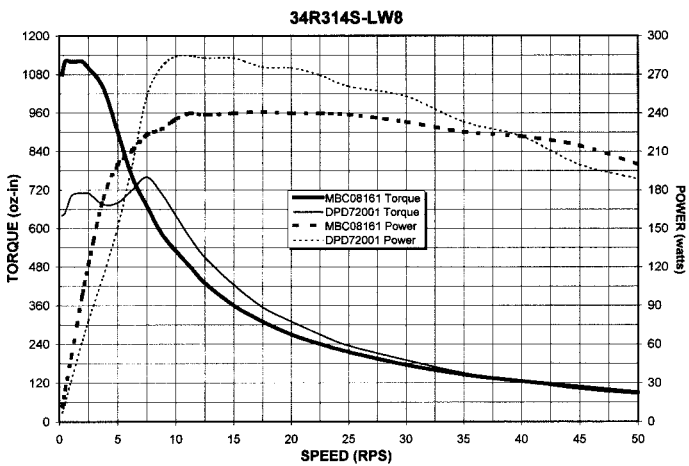
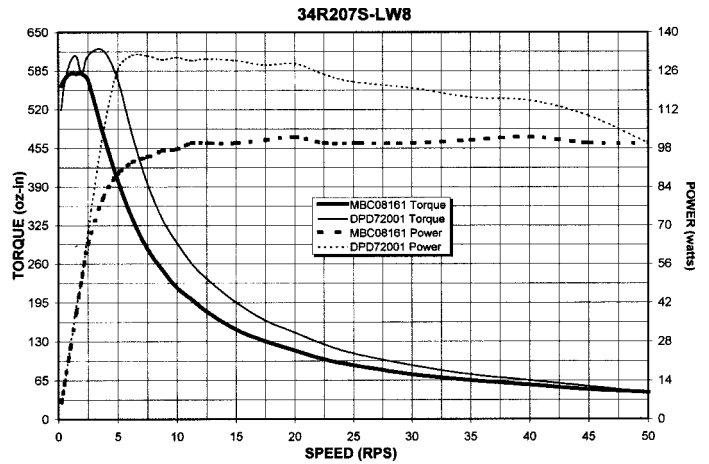
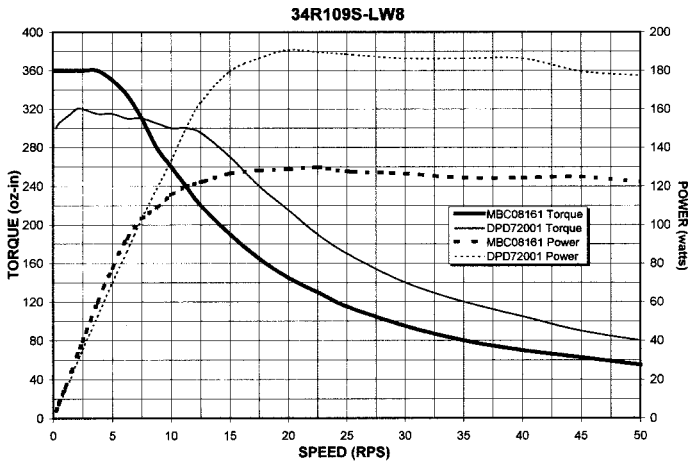


ANAHEIM AUTOMATION

910 East Orangefair Lane, Anaheim, CA 92801
e-mail: info@anaheimautomation.com

(714) 992-6990 fax: (714) 992-0471
website: www.anaheimautomation.com

Torque Speed Curves



Specifications	
Step Angle (Deg)	1.8°
Step Accuracy (Non-Accum)	±5%
Insulation Class	B
Temperature Rise	Max. 80°
Insulation Resistance	100Mohm @ 500VDC
Dielectric Strength	900 VAC for one minute
Ambient Temperature	-20° C ~ +50° C

Ordering Information

Model #	Frame Size	Unipolar Current (A)	Unipolar Voltage (V)	Unipolar Resistance (ohm)	Weight (g)	Degree / Full Step	Shaft Diameter (")	# of Leads	Motor Shaft
34R109S-LW8	34	4.5	2.0	0.48±10%	1750	1.8°	.500	8	Single
34R109D-LW8	34	4.5	2.0	0.48±10%	1750	1.8°	.500	8	Double
34R207S-LW8	34	3.5	4.2	1.20±10%	2800	1.8°	.500	8	Single
34R207D-LW8	34	3.5	4.2	1.20±10%	2800	1.8°	.500	8	Double
34R214S-LW8	34	7.0	2.1	0.33±10%	2800	1.8°	.500	8	Single
34R214D-LW8	34	7.0	2.1	0.33±10%	2800	1.8°	.500	8	Double
34R309S-LW8	34	4.5	2.46	0.55±10%	3840	1.8°	.500	8	Single
34R309D-LW8	34	4.5	2.46	0.55±10%	3840	1.8°	.500	8	Double
34R311S-LW8	34	5.5	2.8	0.43±10%	3840	1.8°	.500	8	Single
34R311D-LW8	34	5.5	2.8	0.43±10%	3840	1.8°	.500	8	Double
34R314S-LW8	34	7.0	2.2	0.31±10%	3840	1.8°	.500	8	Single
34R314D-LW8	34	7.0	2.2	0.31±10%	3840	1.8°	.500	8	Double

Motors with double ended shafts are configured with encoder ready mounting holes on the rear end bell. Other motor windings are available upon request. Encoders and gearboxes are also available. Contact the Anaheim Automation applications department for the best match.